

SEVEL
SHOWCASE



Offering The "Choice" Line Of Showcases Since 1945



Sevel has been producing well-engineered showcases to customers all across the world since 1949. They pride themselves on offering showcases constructed using top-quality parts, components and materials.

Since 2002, Sevel USA has been the United States Importer of the Sevel brand and providing customer service is our #1 priority. We pride ourselves by not only offering a superior product with competitive pricing, but also assisting our customers years down the road if ever needed. Sevel USA maintains ALL spare parts and components for our different showcases at our facility located in Houston, Texas.

In our 14+ years of conducting business here in the US Market, we are proud to be seen in some of the finest Gelaterias, Grocery Stores, Casinos, Movie Theatres, Cafes and Coffee Shops across the Country.

At Sevel USA, we are focused on exceeding our customer's expectations! By understanding customer's needs and changes in the market, we are dedicated in offering the finest lines of showcases.



fruit
juice

Cake

SMYRNA NEW S PROJECT
Color: BLACK

SMYRNA GELATO SHOWCASE

The Smyrna Showcase by Sevel is welcomed addition to our line of Showcases. This ultra-contemporary showcase displays your product unlike any other with its geometrically shape and prismatic lines. The sharp paneling and angled glass, translates to maximum visibility that your customers truly desire.



SMYRNA-18 GELATO
Color: GREEN



SMYRNA-12 GELATO
Color: BLACK

SMYRNA PASTRY SHOWCASE

The Smyrna Pastry Showcase combines efficient, high volume merchandising and superb refrigeration with modern flat glass. This ultra-contemporary self-contained showcase displays your pastries and high-end deserts using two different levels. Its geometrical shape translates to maximum visibility that your customers truly desire. The Smyrna Pastry Showcase can also be produced for displaying Chocolate and Deli items.



SMYRNA-18 PASTRY
Color: WHITE

ASPEN DELUXE GELATO SHOWCASE

The Aspen Deluxe Gelato Showcase is a one of a kind, which is the Intersection of Quality and Performance. This modern & sleek design has been our signature showcase in the foodservice industry for several years. This showcase is constructed with a Stainless Steel Chassis, Insulated with High Density Polyurethane Foam Paneling, Double Pane Heated Front & Side Glass is all electronic digitally controlled.



- Double Pane Heated Front & Side Glass
- Hydraulic Piston Lift-Up Front Glass
- Digital Temperature Control with Automatic Hot-Gas Defrost
- Air-Cooled Condensing Unit
- Stainless Steel Work Surface
- LED Interior Lighting System
- Led Lit Flavor Rail for displaying flavors
- LED Spot Light Front Panel
- Flat Glass Top for merchandising
- 8 Degrees of Pane Slope for optimal display
- Stainless Steel Gelato Pans & Caster Wheels included
- Also available in applications for Pastry, Chocolate & Deli
- Offered in 12, 16, 18 and 24 pan options
- RAL Color Options available

ASPEN DELUXE-24 GELATO
Color: STAINLESS STEEL

ASPEN DELUXE PASTRY SHOWCASE



ASPEN DELUXE-12 PASTRY
Color: STAINLESS STEEL



ASPEN DELUXE COMBO
Color: STAINLESS STEEL

ASPEN DELUXE S GELATO SHOWCASE

The Aspen Deluxe Gelato Showcase is a one of a kind, which is the Intersection of Quality and Performance. This modern & sleek design has been our signature showcase in the foodservice industry for several years. This showcase is constructed with a Stainless Steel Chassis, Insulated with High Density Polyurethane Foam Paneling, Double Pane Heated Front & Side Glass is all electronic digitally controlled.

State of the art technology
meets the endless DREAM curves in
the ASPEN DELUXE S...



TEOS PASTRY SHOWCASE



The Teos Pastry Showcase offers elegance, while maintaining the "European" style that is ideal for high-volume shops. This showcase combines a modern style with a transparent display that creates tremendous product visibility. The Teos Pastry Showcase was designed with a high refrigeration capacity and a silent cooling capacity. It is offered in a variety of applications including Deli, Chocolate, Refrigerated Deserts or as a Dry Showcase and can be made as a straight line or 45 degrees curved case.



With the elegance of a Jewelry Showcase,
very special led lighting system and
its special cooling system,
show your quality with TEOS ...



TEOS PASTRY
Color: WHITE

BAROQUE VISION PASTRY SHOWCASES

BAROQUE VISION NEW



With its clear-cut lines, customized angles, sharp colors and LED interior lighting, the Baroque Vision Pastry Showcase is our new trendy solution for your Bakery, Chocolate or Candy Shop.

- Thanks to Baroque Vision's large inner capacity, you can display more and more products on (4) separate shelves.
- Special moisturizing system prevents your products from drying out.
- Depending on the size of your shop and your selling preferences, any combination of models can be designed by our engineers.
- Hydraulic opening system of the front door of Baroque Vision ensures comfort in usage and cleaning.



BAROQUE VISION NEW
Color: WHITE

www.sevelusa.com



BAROQUE VISION S
Color: BLACK

SLM & BAROQUE SLM GELATO SHOWCASE

The "SLM" and Baroque Slimline Gelato Showcases are a must if floor space is any issue. These entry level showcases are a perfect option where gelato isn't the focal point of your business, but looking for an additional source of revenue. This sleek looking showcase, still offers a modern look and feel with its curved of square glass and attractive paneling

- The SLM Showcase is offered with the following:
- Digital Temperature Control with Automatic Hot-Gas Defrost
- Air-Cooled Condensing Unit
- Stainless Steel Work Surface
- LED Lighting
- Gelato Pans and Caster Wheels included
- Comes standart in a Silver or White finish
- Offered in 6, 7, 8 or 10 pan options



SLM-6 GELATO
Color: SILVER



BAROQUE SLM-8
Color: WHITE

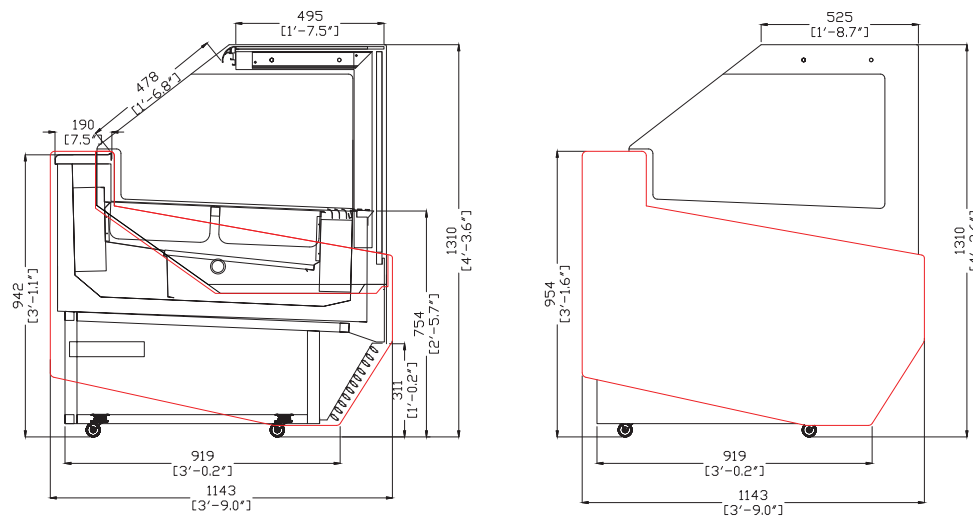
SMYRNA Gelato Showcases *Technical Specifications*

		SNEW-12G	SNEW-16G	SNEW-18G	SNEW-24G	SNEW-S-45G
LENTGH	<i>Milimeters</i>	1230	1565	1735	2255	****
	<i>Inches</i>	4'-4"	5'-1.6"	5'-8.3"	7'-4.8"	****
DEPTH	<i>Milimeters</i>	1143	1143	1143	1143	1143
	<i>Inches</i>	3'-9"	3'-9"	3'-9"	3'-9"	3'-9"
HEIGHT	<i>Milimeters</i>	1310	1310	1310	1310	1310
	<i>Inches</i>	4'-3.6"	4'-3.6"	4'-3.6"	4'-3.6"	4'-3.6"
WEIGHT	NET	551	815	875	1014	762
	LBS GROSS	747	1003	1080	1278	917
CAPACITY OF PANS		12x5Lt. 8x7Lt.	16x5Lt. 10x7Lt.	18x5Lt. 12x7Lt.	24x5Lt. 16x7Lt.	14x5Lt. 9x7Lt.
POWER OF COMPRESSORS		1130W	782+700W	782+782W	1130+782W	782+700W
REFRIGERANT		R404a	R404a	R404a	R404a	R404a
RUNNING TEMPERATURE AT 95 F,60% RELATIVE HUMIDITY		-18/-22C +10F/-10F	-18/-22C +10F/-10F	-18/-22C +10F/-10F	-18/-22C +10F/-10F	-15/-20C +10F/-10F
POWER SUPPLY		220/1/ 50-60Hz 400/3/50-60Hz	220/1/ 50-60Hz 400/3/50-60Hz	220/1/ 50-60Hz 400/3/50-60Hz	220/1/ 50-60Hz 400/3/50-60Hz	220/1/ 50-60Hz
COMPRESSOR TYPE		HERMETIC	HERMETIC	HERMETIC	HERMETIC	HERMETIC
REFRIGERATION SYSTEM		FORCED AIR /VENTILATED	FORCED AIR /VENTILATED	FORCED AIR /VENTILATED	FORCED AIR /VENTILATED	FORCED AIR /VENTILATED
DEFROSTING		AUTOMATIC	AUTOMATIC	AUTOMATIC	AUTOMATIC	AUTOMATIC
DEFROSTING TYPE		HOT GAS+ RESISTANCE	HOT GAS+ RESISTANCE	HOT GAS+ RESISTANCE	HOT GAS+ RESISTANCE	HOT GAS+ RESISTANCE

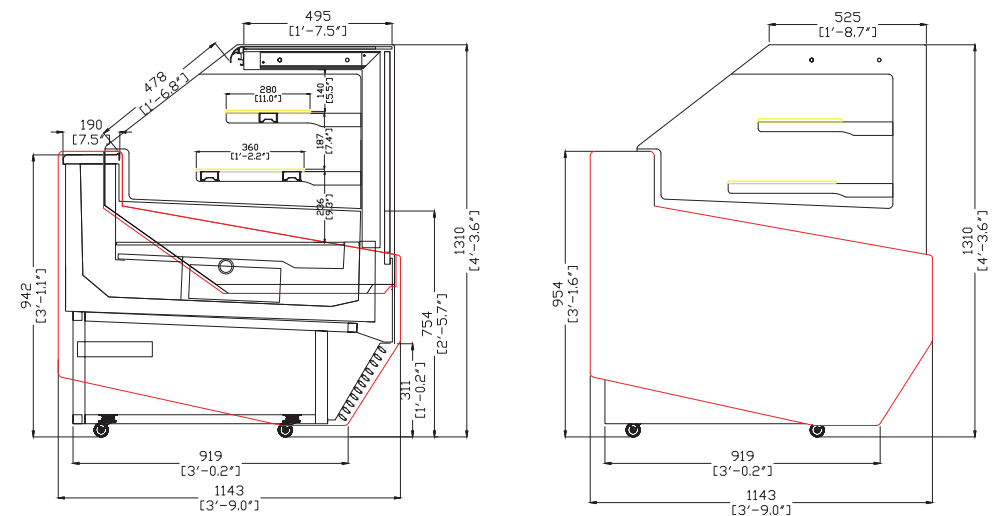
SMYRNA Pastry Showcases *Technical Specifications*

		SVNEW-12P	SVNEW-16P	SVNEW-18P	SVNEW-24P	SVNEW-S-45P
LENTGH	<i>Milimeters</i>	1230	1565	1735	2255	****
	<i>Inches</i>	4'-4"	5'-1.6"	5'-8.3"	7'-4.8"	****
DEPTH	<i>Milimeters</i>	1143	1143	1143	1143	1143
	<i>Inches</i>	3'-9"	3'-9"	3'-9"	3'-9"	3'-9"
HEIGHT	<i>Milimeters</i>	1310	1310	1310	1310	1310
	<i>Inches</i>	4'-3.6"	4'-3.6"	4'-3.6"	4'-3.6"	4'-3.6"
WEIGHT	NET	529	727	787	925	762
	LBS GROSS	705	925	992	1190	917
CAPACITY OF PANS		**** ****	**** ****	**** ****	**** ****	**** ****
POWER OF COMPRESSORS		580W	630W	780W	1170W	780W
REFRIGERANT		R134a	R134a	R134a	R134a	R134a
RUNNING TEMPERATURE AT 95 F,60% RELATIVE HUMIDITY		+4/+8C +39F/+55F	+4/+8C +39F/+55F	+4/+8C +39F/+55F	+4/+8C +39F/+55F	+4/+8C +39F/+55F
POWER SUPPLY		220/1/ 50-60Hz	220/1/ 50-60Hz	220/1/ 50-60Hz	220/1/ 50-60Hz	220/1/ 50-60Hz
COMPRESSOR TYPE		HERMETIC	HERMETIC	HERMETIC	HERMETIC	HERMETIC
REFRIGERATION SYSTEM		FORCED AIR /VENTILATED	FORCED AIR /VENTILATED	FORCED AIR /VENTILATED	FORCED AIR /VENTILATED	FORCED AIR /VENTILATED
DEFROSTING		AUTOMATIC	AUTOMATIC	AUTOMATIC	AUTOMATIC	AUTOMATIC
DEFROSTING TYPE		RESISTANCE	RESISTANCE	RESISTANCE	RESISTANCE	RESISTANCE

Smyrna Gelato Showcase Side View



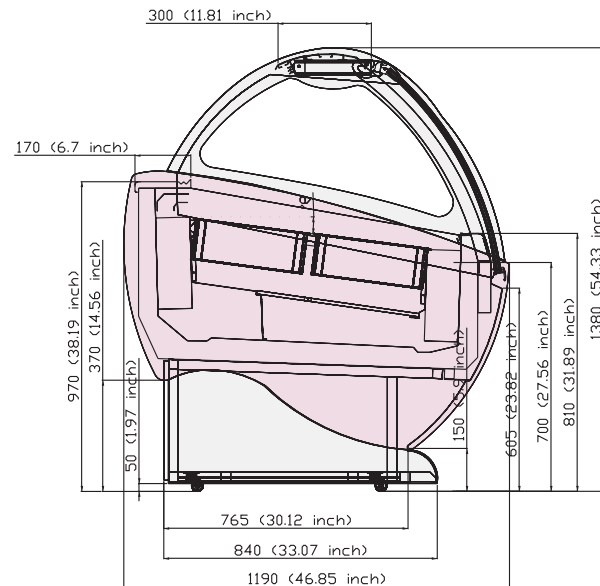
Smyrna New Pastry Showcase Side View



ASPEN DELUXE Gelato Showcases *Technical Specifications*

		AD-12G	AD-16G	AD-18G	AD-24G	AD-S-45G
LENTGH	Milimeters	1225	1559	1732	2251	****
	Inches	48.23"	61.38"	68.19"	88.62"	****
DEPTH	Milimeters	1190	1190	1190	1190	1190
	Inches	46.85"	46.85"	46.85"	46.85"	46.85"
HEIGHT	Milimeters	1380	1380	1380	1380	1380
	Inches	54.33"	54.33"	54.33"	54.33"	54.33"
WEIGHT	NET	551	815	875	1014	762
	LBS GROSS	747	1003	1080	1278	917
CAPACITY OF PANS		12x5Lt. 8x7Lt.	16x5Lt. 10x7Lt.	18x5Lt. 12x7Lt.	24x5Lt. 16x7Lt.	9x5Lt. 7x7Lt.
POWER OF COMPRESSORS		1130W	782+700W	782+782W	1130+782W	1400W
REFRIGERANT		R404a	R404a	R404a	R404a	R404a
RUNNING TEMPERATURE AT 95 F,60% RELATIVE HUMIDITY		-18/-22C +10F/-10F	-18/-22C +10F/-10F	-18/-22C +10F/-10F	-18/-22C +10F/-10F	-15/-20C +10F/-10F
POWER SUPPLY		220/1/ 50-60Hz 400/3/50-60Hz	220/1/ 50-60Hz 400/3/50-60Hz	220/1/ 50-60Hz 400/3/50-60Hz	220/1/ 50-60Hz 400/3/50-60Hz	220/1/ 50-60Hz
COMPRESSOR TYPE		HERMETIC	HERMETIC	HERMETIC	HERMETIC	HERMETIC
REFRIGERATION SYSTEM		FORCED AIR /VENTILATED	FORCED AIR /VENTILATED	FORCED AIR /VENTILATED	FORCED AIR /VENTILATED	FORCED AIR /VENTILATED
DEFROSTING		AUTOMATIC	AUTOMATIC	AUTOMATIC	AUTOMATIC	AUTOMATIC
DEFROSTING TYPE		HOT GAS+ RESISTANCE	HOT GAS+ RESISTANCE	HOT GAS+ RESISTANCE	HOT GAS+ RESISTANCE	HOT GAS+ RESISTANCE

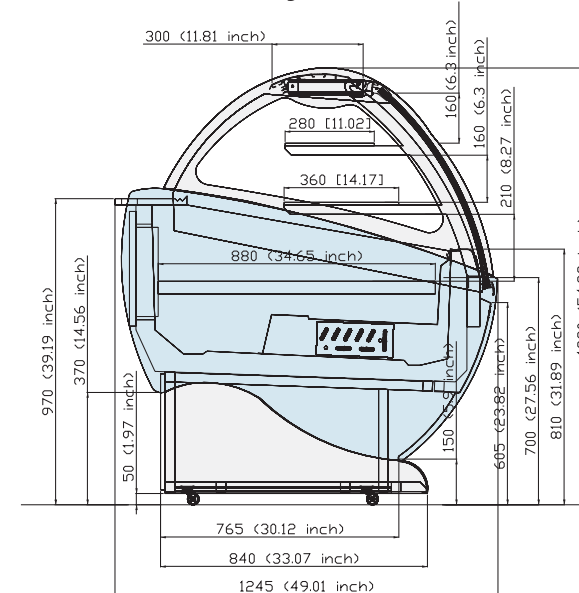
Aspen Deluxe Gelato Showcase Side View



ASPEN DELUXE Pastry Showcases *Technical Specifications*

		AD-12P	AD-16P	AD-18P	AD-24P	AD-S-45P
LENTGH	Milimeters	1225	1559	1735	2255	****
	Inches	48.23"	61.38"	5'-8.3"	7'-4.8"	****
DEPTH	Milimeters	1245	1245	1245	1245	1190
	Inches	49"	49"	49"	49"	46.85"
HEIGHT	Milimeters	1380	1380	1380	1380	1380
	Inches	54.33"	54.33"	54.33"	54.33"	54.33"
WEIGHT	NET	529	727	787	925	762
	LBS GROSS	705	925	992	1190	917
CAPACITY OF PANS		**** ****	**** ****	**** ****	**** ****	**** ****
POWER OF COMPRESSORS		490W	580W	630W	1170W	780W
REFRIGERANT		R134a	R134a	R134a	R134a	R134a
RUNNING TEMPERATURE AT 95 F,60% RELATIVE HUMIDITY		+4/+8C +39F/+55F	+4/+8C +39F/+55F	+4/+8C +39F/+55F	+4/+8C +39F/+55F	+4/+8C +39F/+55F
POWER SUPPLY		220/1/ 50-60Hz	220/1/ 50-60Hz	220/1/ 50-60Hz	220/1/ 50-60Hz	220/1/ 50-60Hz
COMPRESSOR TYPE		HERMETIC	HERMETIC	HERMETIC	HERMETIC	HERMETIC
REFRIGERATION SYSTEM		FORCED AIR /VENTILATED	FORCED AIR /VENTILATED	FORCED AIR /VENTILATED	FORCED AIR /VENTILATED	FORCED AIR /VENTILATED
DEFROSTING		AUTOMATIC	AUTOMATIC	AUTOMATIC	AUTOMATIC	AUTOMATIC
DEFROSTING TYPE		RESISTANCE	RESISTANCE	RESISTANCE	RESISTANCE	RESISTANCE

Aspen Deluxe Pastry Showcase Side View



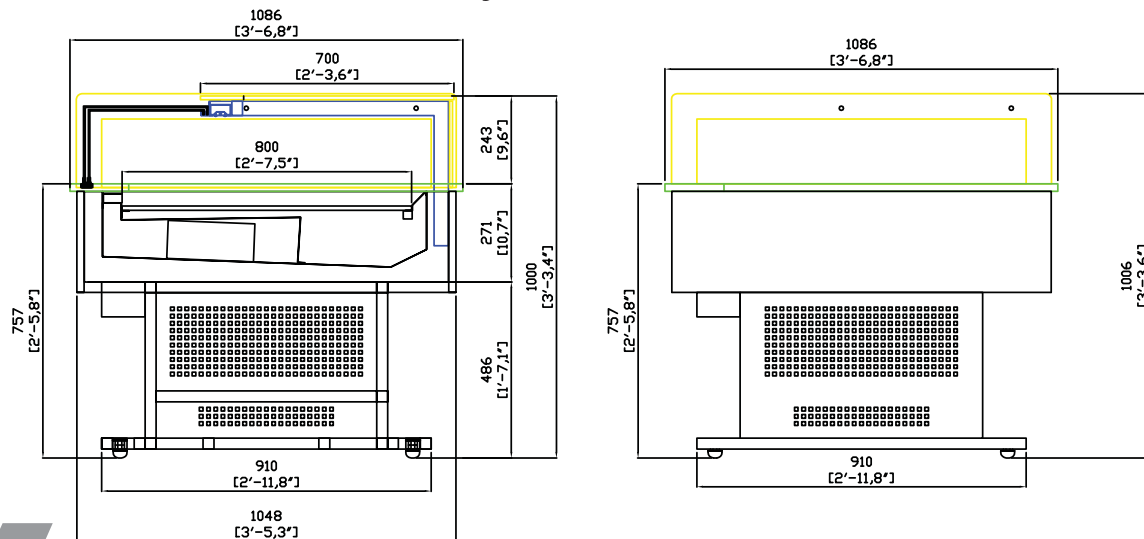
Teos Pastry Showcase *Technical Specifications*

		SNEW-12G	SNEW-16G	SNEW-18G	SNEW-24G	SNEW-S-45G
LENTGH	Milimeters	1230	1565	1735	2255	****
	Inches	4'-4"	5'-1.6"	5'-8.3"	7'-4.8"	****
DEPTH	Milimeters	1143	1143	1143	1143	1143
	Inches	3'-9"	3'-9"	3'-9"	3'-9"	3'-9"
HEIGHT	Milimeters	1310	1310	1310	1310	1310
	Inches	4'-3.6"	4'-3.6"	4'-3.6"	4'-3.6"	4'-3.6"
WEIGHT	NET	551	815	875	1014	762
	LBS GROSS	747	1003	1080	1278	917
CAPACITY OF PANS		12x5Lt. 8x7Lt.	16x5Lt. 10x7Lt.	18x5Lt. 12x7Lt.	24x5Lt. 16x7Lt.	14x5Lt. 9x7Lt.
POWER OF COMPRESSORS		1130W	782+700W	782+782W	1130+782W	782+700W
REFRIGERANT		R404a	R404a	R404a	R404a	R404a
RUNNING TEMPERATURE AT 95 F,60% RELATIVE HUMIDITY		-18/-22C +39F/+55F	-18/-22C +39F/+55F	-18/-22C +39F/+55F	-18/-22C +39F/+55F	-15/-20C +39F/+55F
POWER SUPPLY		220/1/ 50-60Hz 400/3/50-60Hz	220/1/ 50-60Hz 400/3/50-60Hz	220/1/ 50-60Hz 400/3/50-60Hz	220/1/ 50-60Hz 400/3/50-60Hz	220/1/ 50-60Hz
COMPRESSOR TYPE		HERMETIC	HERMETIC	HERMETIC	HERMETIC	HERMETIC
REFRIGERATION SYSTEM		FORCED AIR /VENTILATED	FORCED AIR /VENTILATED	FORCED AIR /VENTILATED	FORCED AIR /VENTILATED	FORCED AIR /VENTILATED
DEFROSTING		AUTOMATIC	AUTOMATIC	AUTOMATIC	AUTOMATIC	AUTOMATIC
DEFROSTING TYPE		HOT GAS+ RESISTANCE	HOT GAS+ RESISTANCE	HOT GAS+ RESISTANCE	HOT GAS+ RESISTANCE	HOT GAS+ RESISTANCE

Baroque Vision Pastry Showcases *Technical Specifications*

		BAROQ-15	BAROQ-20	BAROQ-25	BAROQ-30
LENTGH	Milimeters	1230	1565	1735	2255
	Inches	4'-4"	5'-1.6"	5'-8.3"	7'-4.8"
DEPTH	Milimeters	1143	1143	1143	1143
	Inches	3'-9"	3'-9"	3'-9"	3'-9"
HEIGHT	Milimeters	1310	1310	1310	1310
	Inches	4'-3.6"	4'-3.6"	4'-3.6"	4'-3.6"
WEIGHT	NET	529	727	787	925
	LBS GROSS	705	925	992	1190
CAPACITY OF PANS		**** ****	**** ****	**** ****	**** ****
POWER OF COMPRESSORS		580W	630W	780W	1170W
REFRIGERANT		R134a	R134a	R134a	R134a
RUNNING TEMPERATURE AT 95 F,60% RELATIVE HUMIDITY		+4/+8C +39F/+55F	+4/+8C +39F/+55F	+4/+8C +39F/+55F	+4/+8C +39F/+55F
POWER SUPPLY		220/1/ 50-60Hz	220/1/ 50-60Hz	220/1/ 50-60Hz	220/1/ 50-60Hz
COMPRESSOR TYPE		HERMETIC	HERMETIC	HERMETIC	HERMETIC
REFRIGERATION SYSTEM		FORCED AIR /VENTILATED	FORCED AIR /VENTILATED	FORCED AIR /VENTILATED	FORCED AIR /VENTILATED
DEFROSTING		AUTOMATIC	AUTOMATIC	AUTOMATIC	AUTOMATIC
DEFROSTING TYPE		RESISTANCE	RESISTANCE	RESISTANCE	RESISTANCE

Teos Pastry Showcase Side View



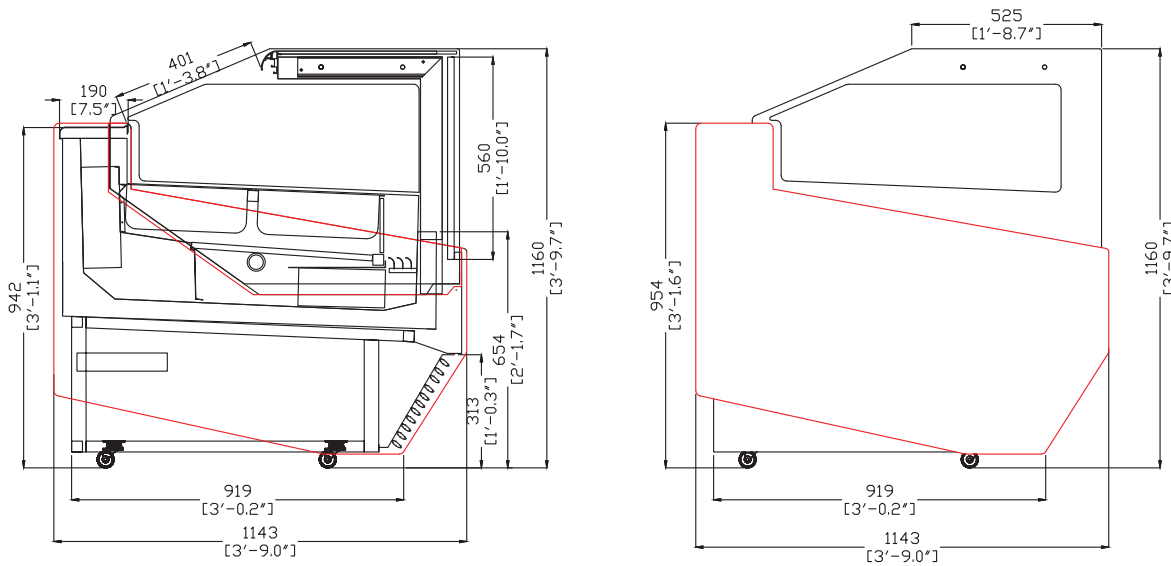
Baroque SLM Gelato Showcase *Technical Specifications*

		BSLM-6G	BSLM-7G	BSLM-8G	BSLM-10G
LENTGH	Millimeters	1195	1375	1555	1950
	Inches	47'	54.1'	61.2'	76.8'
DEPTH	Millimeters	680	680	680	680
	Inches	26.77'	26.77'	26.77'	26.77'
HEIGHT	Millimeters	1300	1300	1300	1300
	Inches	51.2'	51.2'	51.2'	51.2'
WEIGHT	NET LBS	401	445	467	562
	GROSS	553	610	639	749
CAPACITY OF PANS		6x5Lt. 4x7Lt.	7x5Lt. 4x7Lt.	8x5Lt. 5x7Lt.	10x5Lt. 7x7Lt.
POWER OF COMPRESSORS		630W	700W	782W	1130W
REFRIGERANT		R404a	R404a	R404a	R404a
RUNNING TEMPERATURE AT 95 F,60% RELATIVE HUMIDITY		-18/-22C +10F/-10F	-18/-22C +10F/-10F	-18/-22C +10F/-10F	-18/-22C +10F/-10F
POWER SUPPLY		220/1/ 50-60Hz 400/3/50-60Hz	220/1/ 50-60Hz 400/3/50-60Hz	220/1/ 50-60Hz 400/3/50-60Hz	220/1/ 50-60Hz 400/3/50-60Hz
COMPRESSOR TYPE		HERMETIC	HERMETIC	HERMETIC	HERMETIC
REFRIGERATION SYSTEM		FORCED AIR /VENTILATED	FORCED AIR /VENTILATED	FORCED AIR /VENTILATED	FORCED AIR /VENTILATED
DEFROSTING		AUTOMATIC	AUTOMATIC	AUTOMATIC	AUTOMATIC
DEFROSTING TYPE		HOT GAS+ RESISTANCE	HOT GAS+ RESISTANCE	HOT GAS+ RESISTANCE	HOT GAS+ RESISTANCE

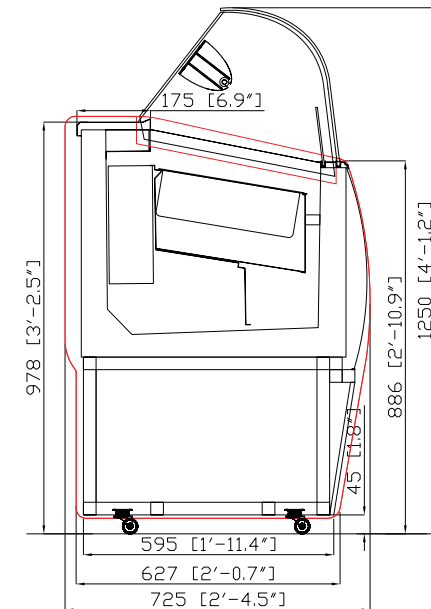
SLM Gelato Showcase *Technical Specifications*

		SLM-6G	SLM-7G	SLM-8G
LENTGH	Millimeters	1235	1415	1595
	Inches	48.62'	55.7'	62.8'
DEPTH	Millimeters	725	725	725
	Inches	28.54'	28.54'	28.54'
HEIGHT	Millimeters	1250	1250	1250
	Inches	49.21'	49.21'	49.21'
WEIGHT	NET LBS	401	445	467
	GROSS	553	610	639
CAPACITY OF PANS		6x5Lt. 4x7Lt.	7x5Lt. 4x7Lt.	8x5Lt. 5x7Lt.
POWER OF COMPRESSORS		630W	700W	782W
REFRIGERANT		R404a	R404a	R404a
RUNNING TEMPERATURE AT 95 F,60% RELATIVE HUMIDITY		-18/-22C +10F/-10F	-18/-22C +10F/-10F	-18/-22C +10F/-10F
POWER SUPPLY		220/1/ 50-60Hz 400/3/50-60Hz	220/1/ 50-60Hz 400/3/50-60Hz	220/1/ 50-60Hz 400/3/50-60Hz
COMPRESSOR TYPE		HERMETIC	HERMETIC	HERMETIC
REFRIGERATION SYSTEM		FORCED AIR /VENTILATED	FORCED AIR /VENTILATED	FORCED AIR /VENTILATED
DEFROSTING		AUTOMATIC	AUTOMATIC	AUTOMATIC
DEFROSTING TYPE		HOT GAS+ RESISTANCE	HOT GAS+ RESISTANCE	HOT GAS+ RESISTANCE

Smyrna New Gelato Low Height Side View



SLM Gelato Showcase Side View





SEVEL USA, LLC.

25825 Aldine Westfield, Rd.
Spring, Texas

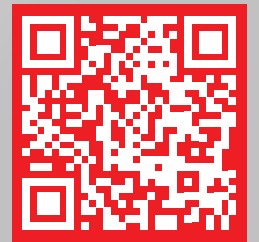
Phone: 281.272.1400



Sevel USA, LLC.



sevelusa



*SEVEL reserves the right to make changes on the color and model of the products displayed.
The colors in this catalogue are most similar of their originals. They may vary due to printing.*

www.sevelusa.com